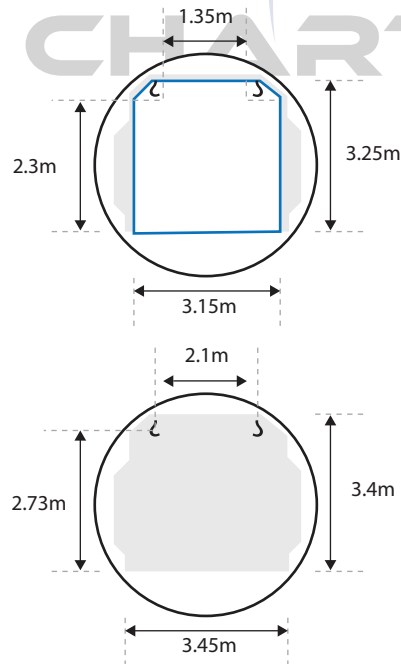
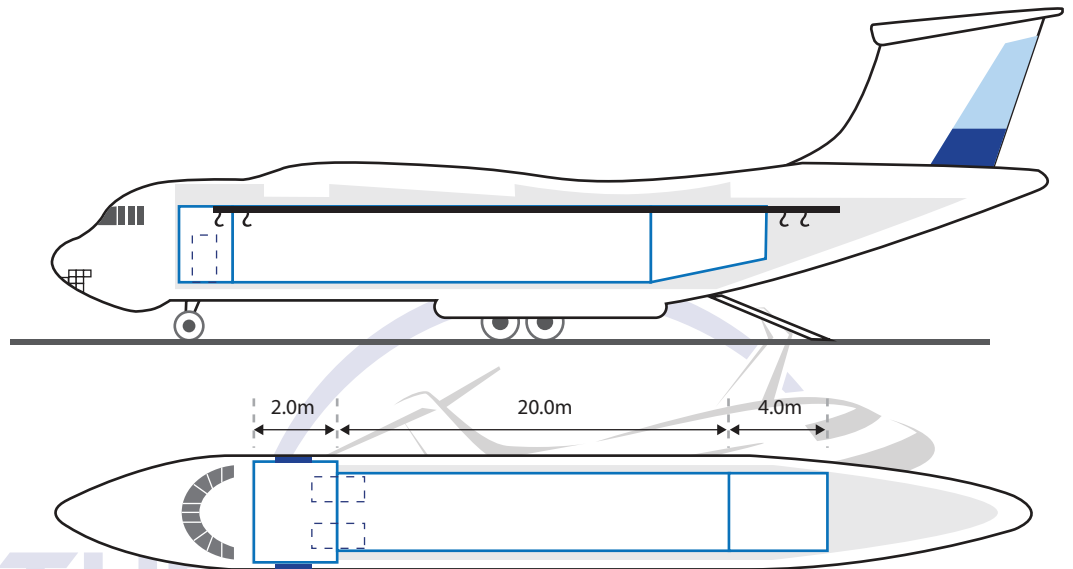




Ilyushin IL-76

The IL-76 is a medium-haul large capacity aircraft capable of carrying oversized loads with a ramp door. It has been used extensively in carrying outside cargo for the oil and gas industry to remote areas with minimum ground support equipment. It is also commonly seen carrying relief goods in response to disasters and humanitarian support around the world.



Specifications

Manufacturer	Ilyushin
Type	IL-76
Cargo Hold Size LxWxH (m)	20 x 3.6 x 3.3
Ramp Door Size WxH (m)	3.44 x 3.30
Lower Forward Door WxH (m)	N/A
Lower Aft Door WxH (m)	N/A
Bulk Size WxH (m)	N/A
Payload (kg)	45,000
Volume (m ³)	180
Cruise Speed (kph)	720 (389 knots)
Range Fully Loaded (km)	3,650
Runway Length Requirement (m)	1,800
Runway Length Requirement (ft)	5,905
Powerplant	4 x Turbofan