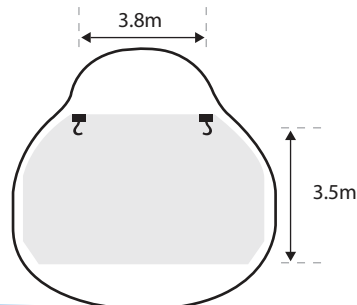
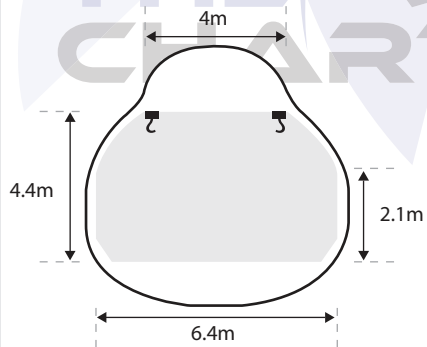
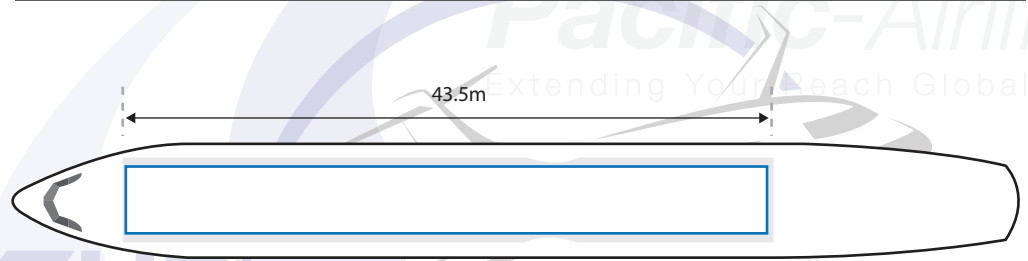
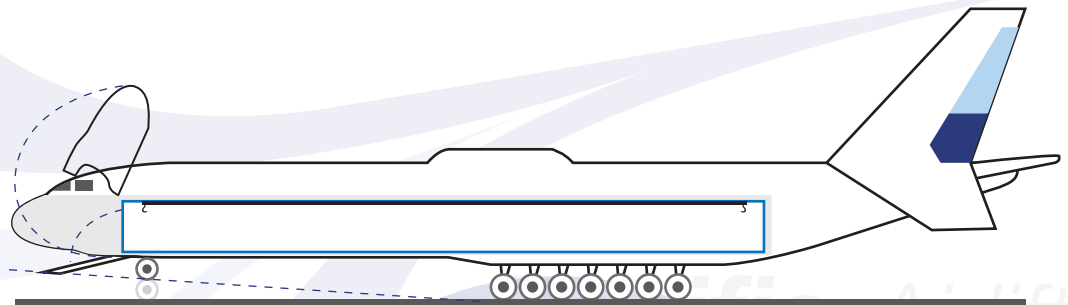




Antonov AN 225 Mriya

The AN-225 is the world's largest aircraft capable of carrying outside cargo weighing 250 tons. Only one was built. The basic configuration is the same as the An-124, but it is longer, has no rear ramp/door assembly and incorporates a 32-wheel landing gear system. The Mriya is not a military aircraft, but it has potential for military use as a super-heavy transport as it can airlift cargo that no other aircraft in the world can carry.



Specifications

Manufacturer	Antonov
Type	AN 225 Mriya
Cargo Hold Size LxWxH (m)	43.5 x 6.4 x 4.4
Nose Door Size WxH (m)	6.4 x 4.4
Lower Forward Door WxH (m)	N/A
Lower Aft Door WxH (m)	N/A
Bulk Size WxH (m)	N/A
Payload (kg)	250,000
Volume (m ³)	1,300
Cruise Speed (kph)	850 (459 knots)
Range Fully Loaded (km)	4,000
Runway Length Requirement (m)	3,500
Runway Length Requirement (ft)	11,483
Powerplant	6 x Turbofan